

General Specifications

Bulletin No. GS-CNV

- Revised 1 April 1999

/CNV Resolver Converter Overview For General and High Speed Applications

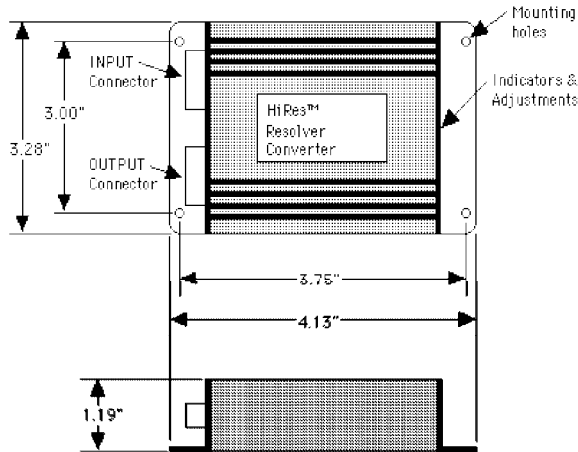


The primary purpose of the **ICNV Resolver Converter** is to enable the Signature Technologies signatureACE® SA2000/RES module to use the Reference, and Sine/Cosine signals from another resolver-based electronic system without loading or interfering with the existing system. Power is supplied via the cable to the unit from the signatureACE®. Each unit is supplied with a /C02 24" input cable. The ICNV **MUST** be used in all installations where any Signature Technologies product is connected to a shared resolver for product warranties to remain valid.

The **ICNV Resolver Converter** unit can also be used to provide position input from the existing resolver system to other systems since resolvers typically can drive only one input circuit. It may also be used when the cable run from an existing system would be long (over 15 feet), or when the existing system is sensitive to external connections. The ICNV Converter is mounted on the machine close (within 24") of the existing resolver system wiring and then connected to the signatureACE® using the desired cable length output cable listed below.

To use, just connect per instructions and adjust the 3 potentiometers shown until the GREEN "OK" LED is illuminated.

Mounting Dimensions

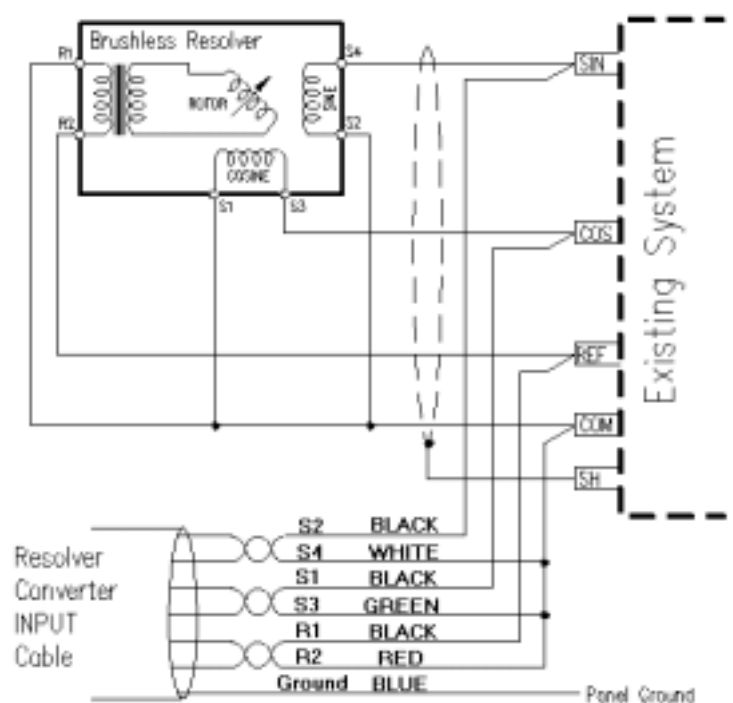


Ordering Instructions

Order Part No. : /CNV*
 Output Cables: 30 Foot: /C30
 50 Foot: /C50
 75 Foot: /C75
 (>100') Foot: /CXXX

*includes 2' input cable.

Typical Wiring Connections*



*Please refer to ICNV Installation Guide for specific wiring instructions since special considerations may be required for your installation

Signature Technologies, Inc. reserves the right to make changes at anytime without notice. Portions of this product and related software are protected under US Copyright and US Patents 4,987,528 and 5,491,647. Other US and Foreign Patents Pending. Signature Technologies®, signatureACE®, Statistical Process Controller® are registered trademarks of Signature Technologies, Inc. ARCNET® is a registered trademark of Datapoint. © 1997-99 Signature Technologies, Inc., Dallas, TX USA - All Rights Reserved.